



Wheelchair and Scooter Carrier

Set up and Operating Instructions



Save This Manual

Keep this manual for the safety warnings and precautions, assembly, operating, inspection, maintenance and cleaning procedures. Write the product's serial number in the back of the manual (or month and year of purchase if product has no number). Keep this manual and the receipt in a safe and dry place for future reference.

Model # TTF-284842SCR

General Safety Rules



WARNING! Read all instructions. Failure to follow all instructions listed below may result in serious injury.



WARNING! Be aware of the possible risk of fire and damage to property resulting from the vehicle's exhaust system pointing at or running near the cargo loaded on the Carrier. Before installing the Carrier, check to make sure that the exhaust pipe is not pointing in the direction of the cargo. Flammable cargo can ignite from exposure to heat. Other cargo can be damaged from the heat. Always be aware of this potential danger, and never use the Carrier if the risk exists.

SAVE THESE INSTRUCTIONS

1. **Area safety**
 - a. Make sure the area in which the Carrier is assembled is clean and well lit. *Cluttered or dark areas invite accidents.*
 - b. Keep children and bystanders away while using the Carrier. *Distractions can cause you to lose control.*
2. **Personal safety**
 - a. Stay alert, watch what you are doing and use common sense when using the Carrier. Do not use the Carrier while you are tired or under the influence of drugs, alcohol or medication. *A moment of inattention while using the Carrier may result in serious personal injury.*
 - b. Use safety equipment. Wear ANSI- approved safety impact eye goggles and heavy duty work gloves when setting up or taking down the Carrier to avoid eye injury and/or injury from sharp edges. Safety equipment such as non-skid safety shoes will reduce personal injuries.
 - c. Do not overreach. Keep proper footing and balance at all times. *This enables better control of the Carrier in unexpected situations.*
 - d. Dress properly. Do not wear loose clothing or jewelry. Keep your hair, clothing and gloves away from moving parts. *Loose clothes, jewelry or long hair can be caught in moving parts.*
3. **Carrier use and care**
 - a. Use the correct Carrier for your application. *The correct Carrier will do the job better and safer at the rate for which it was designed.*
 - b. Store the Carrier out of reach of children and do not allow people unfamiliar with the Carrier or these instructions to use the Carrier. *Use of carrier by untrained people may not be safe.*
 - c. Maintain the Carrier. Check for misalignment or binding of moving parts, breakage of parts and any other condition that may affect the Carrier's operation. If damaged, have the Carrier repaired before use. *Many accidents are caused by poorly maintained equipment.*
 - d. Use this Carrier in accordance with these instructions and in the manner intended for this particular type of product, taking into account the area conditions and the task to be performed. *Use of this Carrier for operations different from those intended could result in a hazardous situation.*
4. **Service**
 - a. Have this Carrier serviced by a qualified repair person using only identical replacement parts. *This will ensure that the safety of the Carrier is maintained.*

Specific Safety Rules

1. **This Carrier has a maximum weight capacity of 500 pounds. Do not exceed the 500 pound capacity.** Be aware of dynamic loading! Sudden load movement may briefly create excess load causing product failure.
2. Do not exceed 55 MPH with the Carrier attached.
3. Always secure the Carrier as close to your vehicle as possible, minimizing the distance of the Carrier

- and its load from your vehicle.
4. Center load on Carrier.
 5. Inspect before use; do not use if parts are damaged or broken. Check all bolts and nuts in the Carrier. Do not use if damaged.
 6. Turn off the vehicle's ignition and set the parking brake before loading or unloading the Carrier.
 7. Do not ride on wheelchair or scooter being loaded onto or unloaded from the Carrier.
 8. Make sure to read and understand all instructions and warnings set forth by the manufacturer of the vehicle that the carrier will be attached to.
 9. Prior to transporting a load make sure the Ramp (13) of the Carrier is in its upright position and locked in place with the Safety Pin (11).
 10. Both of the Carrier's Ramp (13) ends must rest flat on a solid, level, and flat surface when loading and unloading an object.
 11. This product is not a toy. Keep it out of reach of children.
 12. Never ride a motorized object (powered scooters, lawn tractors, ATV's, etc.) onto or off the Carrier. Only load/unload with the motorized object empty of cargo and people.
 13. Follow D.O.T. (Department of Transportation) guidelines for installation and use.
 14. Make sure to secure the load on the Carrier with straps, and/or tie-downs before transporting.
 15. Only use the Carrier with a properly installed **Class III or Class IV 2 inch** hitch receiver capable of supporting the Carrier and its load.
 16. Maintain labels and nameplates on the Carrier. These carry important safety information.
 17. The warnings, precautions, and instructions discussed in this instruction manual cannot cover all possible conditions and situations that may occur. It must be understood by the operator that common sense and caution are factors which cannot be built into this product, but must be supplied by the operator.

Specifications

Max. Weight Capacity	500 Pounds
Vehicle Hitch Receiver Size	2" (Fits all Class III or Class IV trailer hitches.)
Carrier Bed Dimensions	48-3/4" X 27-3/4"
Carrier Ramp	42" X 26-1/2"

ASSEMBLY INSTRUCTIONS

Read the entire Important Safety Information section at the beginning of this manual including all text under subheadings therein before assembly of this product.

Refer to Diagram and Parts list on end of the manual.

1. Set the Body Assembly (1) on a flat, secure work area able to support weight of Carrier.
2. Attach Reflectors (15) on side of Body Assembly (1) by using Spring Washers (16) and Nut (17).
3. Use Bolts (3), and Lock Nuts (4) to attach the Hitch Assembly (2) to the underside of the Bed, don't tighten bolts first.
NOTE: The Hitch extension should face opposite the side with the reflectors. Then secure them with Bolts (3) and Lock Nuts (4), make sure that all hardware is tight.
4. Swing up the Ramp (13) in its upright position and locked in place with the Safety Pins (11).
5. Slide Anti-tilt Device (7) onto the Hitch Assembly (2). With assistance, lift Carrier up and insert Hitch Bar into vehicle's receiver hitch. Align hole in Hitch Bar with hole in vehicle's receiver hitch.
6. Insert Pin (5) through holes in both hitches and fasten in place using Lock Pin (6). Slide Anti-tilt Device (7) against the Receiver, tighten the Bolts (8), (9) to eliminate gap between receiver and hitch bar.

OPERATING INSTRUCTIONS

Read the entire Important Safety Information section at the beginning of this manual including all text under subheadings therein before use of this product.

WARNING! Do not exceed the Carrier's maximum weight capacity of 500 pounds.

WARNING! All persons not involved in loading or unloading the Carrier should stand clear of the unit.

1. Once Carrier is fastened to hitch, lower Ramp. Do this by removing the Safety Pins (11), which unlocks the Ramp from the Body. Lower the Ramp to the ground.
CAUTION! Make sure the feet of the Ramp rest flat on a solid, level surface during the loading and unloading of Wheelchair or Scooter.
2. With assistance, push the Wheelchair/Scooter up the Ramp and onto the Carrier Bed. Make sure the load is centered on the Carrier.
3. Secure Wheelchair/Scooter in place using appropriate tie-downs or ropes (not included.) Fasten tie-downs or ropes to the Tie-Down Hooks.
4. Once load is secure, swing Ramp up. Lock ramp against Body by using Safety Pins (11).
5. The load (wheelchair, scooter, ATV, etc.) can now be transported.
6. To unload the vehicle, untie the tie-downs or ropes from the Tie Down Hooks and lower the Ramp.
7. With assistance, carefully unload Wheelchair/Scooter from Carrier. Once Carrier has been unloaded, raise Ramp and lock back into place.

WARNING! Do not transport without locking Ramp to Carrier.

WARNING! Do not ride on Wheelchair, Scooter or other vehicle that is being loaded onto or unloaded from the Carrier.

Maintenance and Servicing

Procedures not specifically explained in this manual must be performed only by a qualified technician.

To prevent serious injury from accidental operation:

Remove any load from the unit before performing any inspection, maintenance, or cleaning procedures.

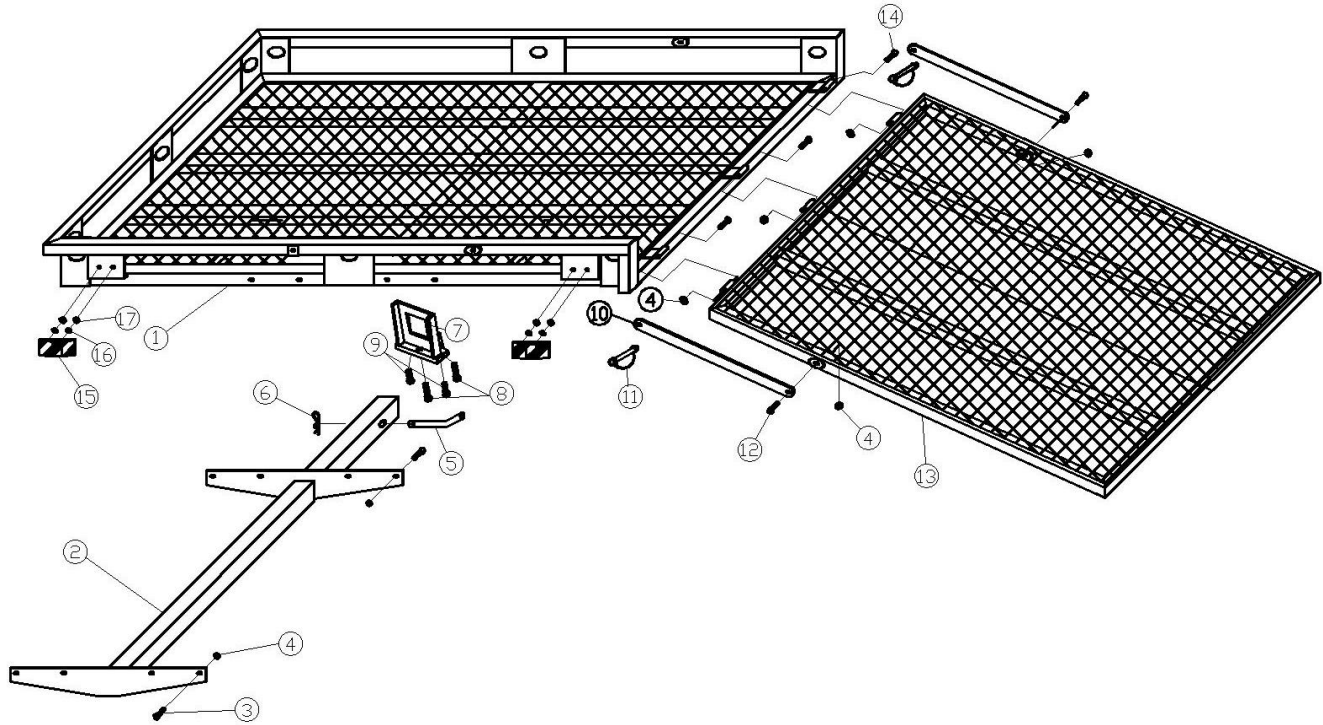
To prevent serious injury from EQUIPMENT failure:

Do not use damaged equipment. If abnormal noise or vibration occurs, have the problem corrected before further use.

Inspection, Maintenance, and Cleaning

1. **BEFORE EACH USE**, inspect the general condition of the Carrier. Check misalignment, loose or damaged parts and any other condition that may affect its safe operation.
2. **BEFORE EACH USE**, make sure any dirt, debris, oil, grease, etc. are cleaned off the Carrier. Clean the Carrier with a clean, moist cloth. Do not use solvents.
3. **PERIODICALLY**, check all hardware for tightness.

PARTS LIST & ASSEMBLY DIAGRAM



Part #	Description	Qty.	Part #	Description	Qty.
1	Body Assembly	1	10	Rod	2
2	Hitch Assembly	1	11	Safety Pin	2
3	Bolt M8x40	8	12	Bolt M8x50	2
4	Lock Nut M8	13	13	Ramp	1
5	Hitch Pin	1	14	Bolt M8x70	3
6	Clip	1	15	Reflector	2
7	Anti-tilt Device	1	16	Spring Washer 5	4
8	Bolt M10x50	2	17	Nut M5	4
9	Bolt M10X40	2			

For technical questions: 218-943-6296

WARRANTY

One-year limited parts warranty.



TG
PO BOX 203
Miltona, MN 56354
Made in China